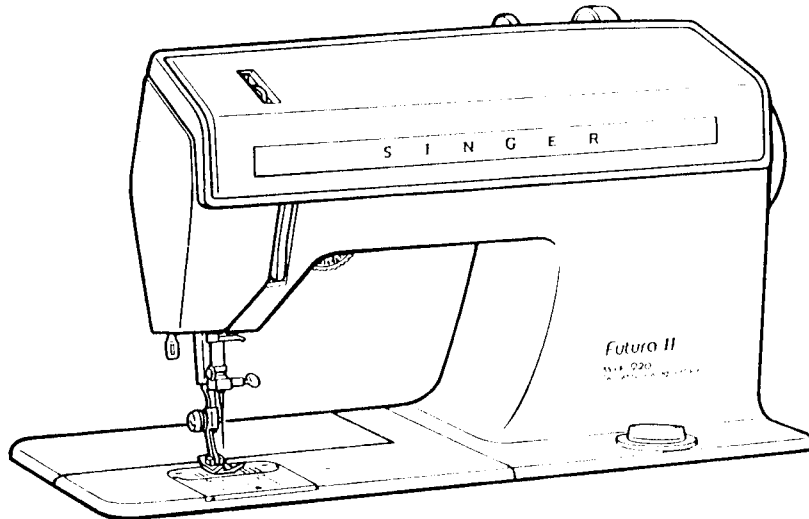
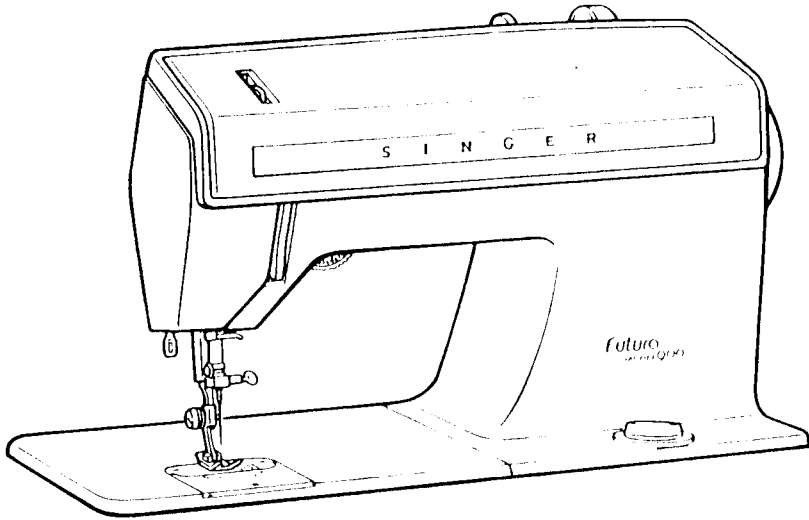


SINGER
900-3/920-3

List of Parts - 900-3/920-3 Machine

COVERS.....	Page 2-3
HOOK AREA.....	Page 4-5
HEAD END.....	Page 6-7
TENSION MODULE.....	Page 8-9
RIGHT AMPLITUDE.....	Page 10-11
CAN STACK AND FOLLOWERS.....	Page 12-13
CAN SELECTOR MECHANISM.....	Page 14-15
FEED CONTROL MECHANISM.....	Page 16-17
ALPHA FEED.....	Page 18-19
RA6-8 MOTOR AND CONTROLLER.....	Page 20-21



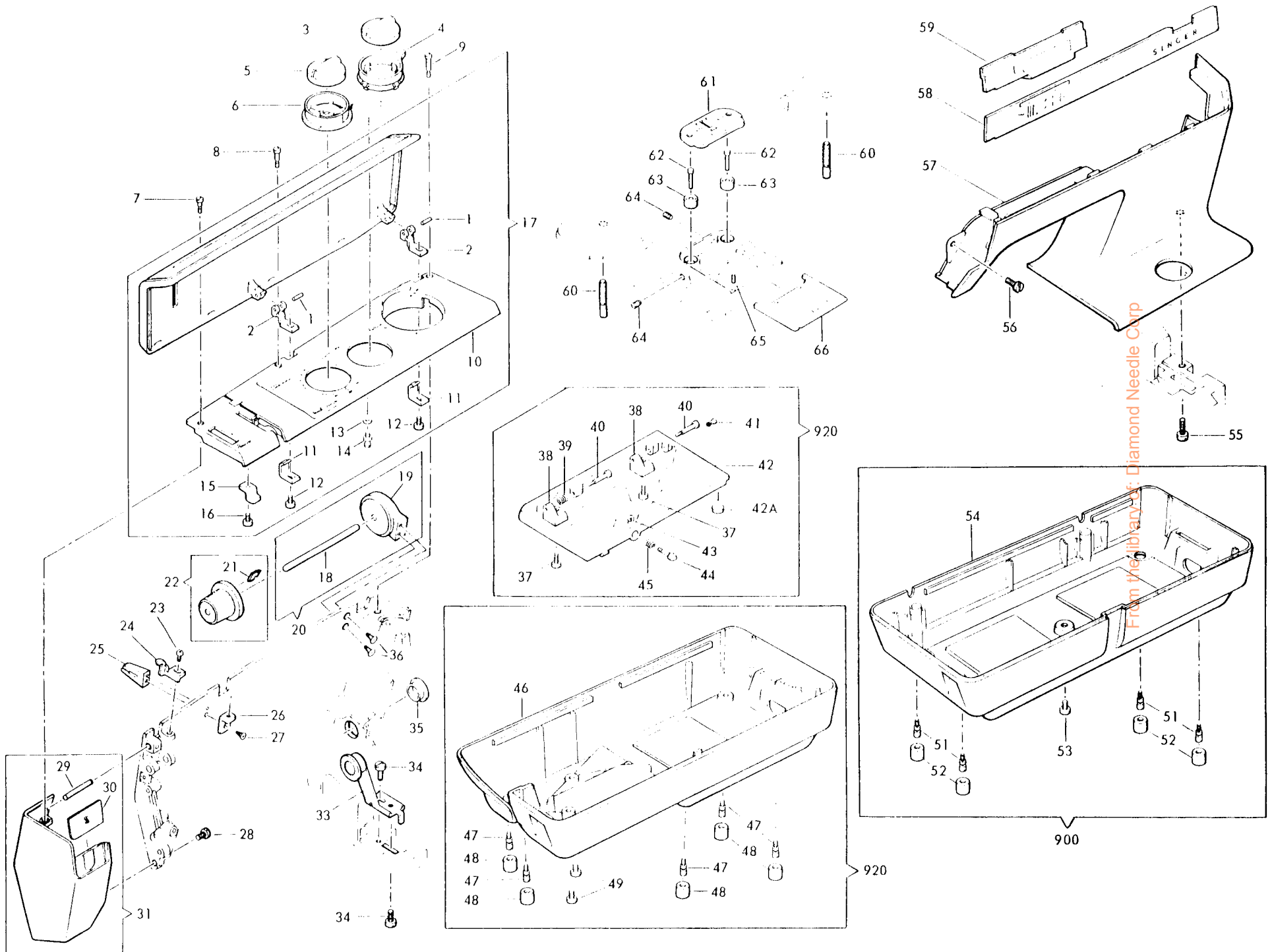
ATTACHMENT SET 71435

- | | |
|--------------|---|
| 2020 | Needle Size No. 11 |
| 2028 | Needle (Twin) Size No. 14 |
| 2045 | Needle Size No. 14 for Sewing Synthetic Knits |
| 38103-103473 | Needle Package (Plastic) |
| 161172 | Seam and Blindstitch Hem Guide Compl. |
| 161919 | Presser Foot Plate (Snap-on for Straight Sewing) |
| 171110 | Blindstitch Hem Guide |
| 171434-451 | Attachment Box Complete (Deluxe) |
| 171438-451 | Chain Stitch Attachment Loop Retainer Insert Compl. |
| 381214 | Feed Cover Plate for Darning and Embroidery |
| 171460 | Presser Foot Plate (Snap-On Slotted) for Slant Overedge |
| 171463 | Special Purpose Presser Foot Plate (Snap-On) |
| 171466-451 | Even Feed Foot (Compl.) (6MT Right) |
| 171470 | Throat Plate for Straight Sewing |
| 171480 | Presser Foot Plate (Snap-On) Compl. for Cording and Slide Fasteners |
| 171485 | Chainstitch Attachment Throat Plate |
| 381551 | Robbins (3) |
| 381001-451 | Disc (Reversible, Quadruple) for Seattle Bar and Surf Stitch (In No. 71 and 72) |
| 381002-451 | Disc (Reversible, Quadruple) for Paris Point and Ric Rac Stitch (73 and 74) |
| 381003-451 | Disc (Reversible, Quadruple) for Slant Overedge and Tulip (74 and 76) |
| 381006-451 | Disc (Double Reversible) for Arrowhead and Bead Stitch (77 and 78) |
| 381009-451 | Disc (Reversible) for Scallop and Zig Zag Point (79 and 80) |
| 381066 | Presser Foot for Button Sewing (6MT) |
| 381106 | Presser Foot Plate (6MT) (Snap-On Plastic) for Sewing Buttonholes |
| 381114-451 | Spool Pin for Twin Needle Sewing (Plastic) |
| 381119-451 | Disc (Reversible, Quadruple) for Super Stretch and Lace Stitch (69 and 70) |
| 501750 | Lint Brush |
| 503407 | Seam Ripper |
| 507864-452 | One-Step Buttonhole Foot |
| 511267 | Buttonhole Marking and Measuring Gauge |

383093452

From the library of Diamond Needle Corp

900-3/920-3 | ne (COVERS)



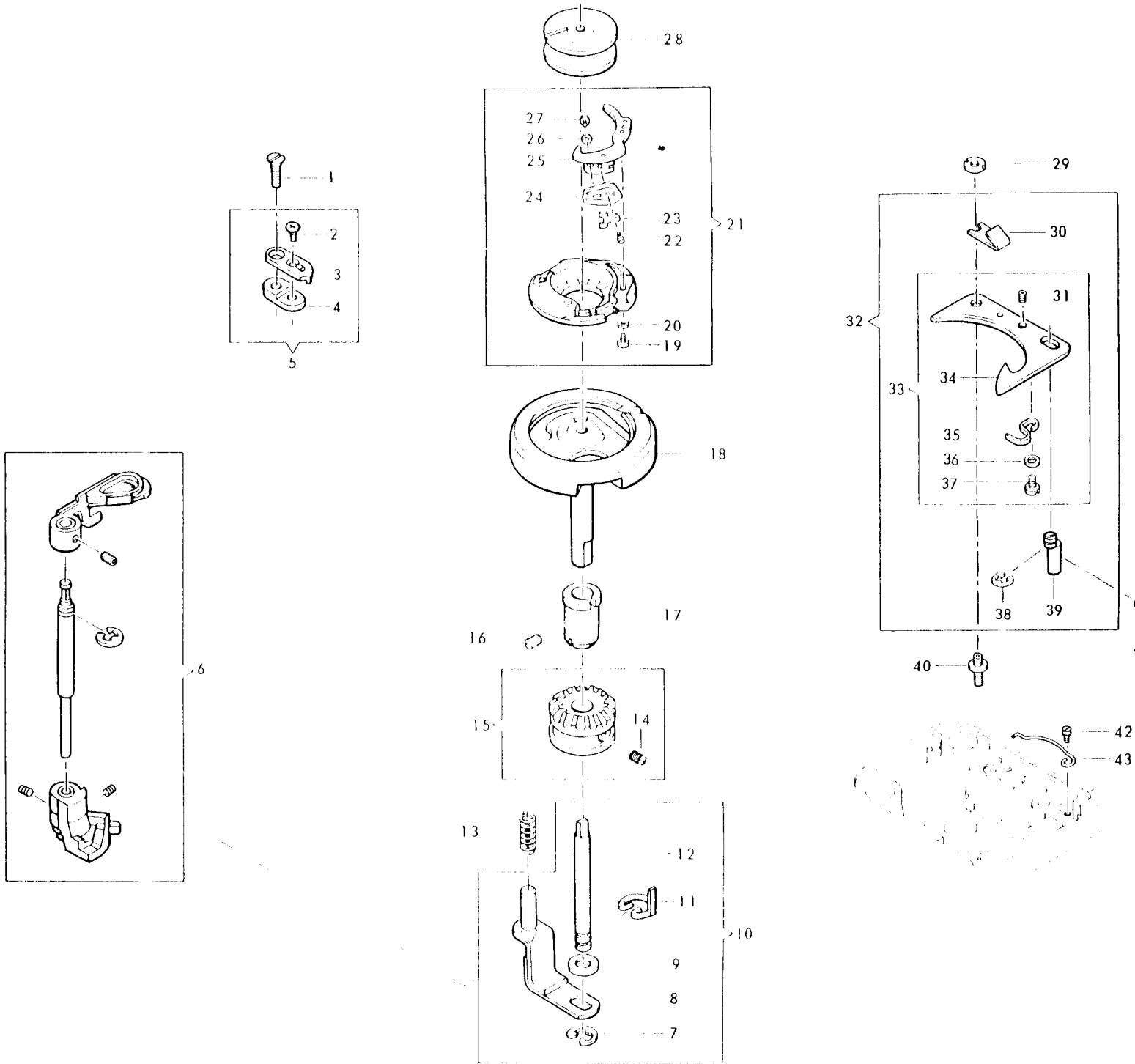
List of Parts - 9(3/920-3 Machine

REF. NO.	PART NO.	DESCRIPTION	REF. NO.	PART NO.	DESCRIPTION	REF. NO.	PART NO.	DESCRIPTION
1	182089	Arm Top Cover and Control Panel Hinge Pin (2)	21	153150	Arm Spool Pin Thread Lead-off Spring Clip	43	182195	Latch Retaining Ring
2	182241	Arm Top Cover and Control Panel Hinge (2)	22	153149-003	Arm Spool Pin Thread Lead-off Compl.	44	381874-451	Lid Latch
3	381607-451	Disc Pattern Selector Dial	23	254030	Thread Guide (inside, back of Arm) Screw	45	381877	Lid Latch Spring
4	182160-451	Disc Pattern Selector Kick-out dial	24	181642	Thread Guide (inside, back of Arm)	46	381860-451	Bed (Convertible) Cover (Bottom)
5	381605-451	Right Amplitude Control Dial	25	182238-451	Thread Guide (outside, back of of Arm) (Plastic)	47	354222-451	(5) Cushion Screw
6	182113-451	Needle Position Control Dial	26	381865	Arm Top Cover and Control Panel Support Bracket (rear)	48	381899	(5) Cushion
7	354264-451	Arm Top Cover and Face Plate Screw	27	354100-451	Thread Guide (outside, back of Arm) Screw	49	354170-451	(2) Fastening Screw
8	354138-451	Arm Top Cover Screw (center)	28	354138-456	Face Plate Fastening Screw	50	354222-451	Bed Cover (bottom) Cushion Screw (4)
9	354156-451	Arm Top Cover Screw (right)	29	181738	Face Plate Positioning Pin	51	381899	Bed Cover (bottom) Cushion (rubber) (4)
10	181628-901	Arm Top Cover and Control Panel	30	182085-451	Face Plate Hedallion Plate	52	139861-856	Bed Cover (bottom) Fastening Screw
11	181640	Arm Top Cover Lid Spring (2)	31	181734-451	Face Plate	53	381857-451	Bed Cover (bottom)
12	354198-451	Arm Top Cover and Control Panel Hinge Screw (2)	32	181613	Belt Idler Pulley	54	354020-451	Arm Front Cover Screw (right)
13	381906	Arm Top Cover and Control Panel Split Pin Lock Washer	33	141860-814	Belt Idler Pulley Bracket (adjustable) Screw (2)	55	141854-809	Arm Front Cover Screw (left)
14	381864	Arm Top Cover and Control Panel Split Pin	34	381893-451	Arm Access Hole Plug	56	382426-001	Arm Front Cover 900 (Pitara)
15	381839	Arm Top Cover and Control Panel Support Bracket	35	354100-451	Arm Spool Pin Holder Screw (2)	57	382426-005	Arm Front Cover 920 (Pitara 11)
16	354198-451	Arm Top Cover and Control Panel Support Bracket Screw	36	354214-451	(2) Lid Hinge Block Screw	58	382451-001	Stitch Pattern Index Panel
17	181627-451	Arm Top Cover Module	37	381875-451	(2) Lid Hinge Block	59	181745	Stitch Pattern Index Panel Backing Plate
18	181610-451	Arm Spool Pin	38	381876	Lid Hinge Block Spring	60	544483	Machine Hinge Connection Set Screw (2)
19	181611	Arm Spool Pin Holder	39	141860-814	(2) Fastening Screw	61	382677	Throat Plate for Zig-Zag Sewing
20	382485-451	Arm Spool Pin Complete	40	381878	Lid Positioning Button	62	174256	Throat Plate Catch Pin (2)
			41	381873-451	Lid	63	507196	Throat Plate Securing Magnet (2)
			42	619491-001	Rubber Cushion	64	141825-830	Throat Plate Catch Pin Screw (2)
						65	163003	Bed Slide Stop Pin (roll pin)
						66	181588	Bed Slide with Molded Plastic Window

Fee for Quage-113 115 NLA
 Bed Cover- 383875 115

From the Jitsyo Products Corp

900-3/920-3 Machine (HOOK AREA)



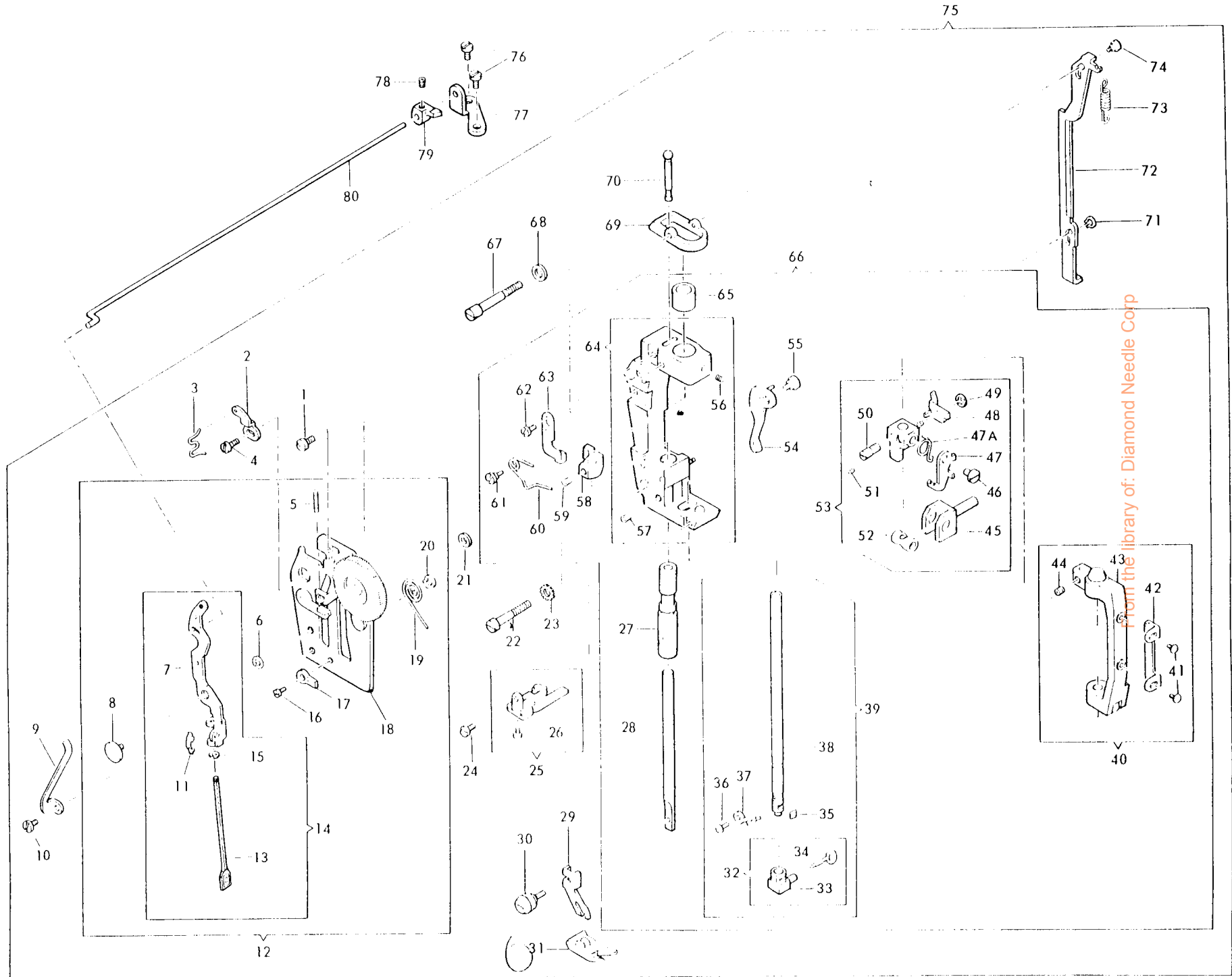
From the library of: Diamond Needle Corp

List of Parts - G-3/920-3 Machine

REF. NO.	PART NO.	DESCRIPTION	REF. NO.	PART NO.	DESCRIPTION	REF. NO.	PART NO.	DESCRIPTION
1	354148-451	Rotating Hook Bobbin Case Position Finger Screw	14	141338-869	Rotating Hook Bevel Gear Set Screw	28	181551	Rotating Hook Bobbin Case
2	354474-451	Rotating Hook Bobbin Case Position Finger Adjusting Screw	15	163329	Rotating Hook Bevel Gear with 141338-869	29	54594-451	Rotating Hook Bobbin Case Position Plate Screw Nut
3	181554	Rotating Hook Bobbin Case Position Finger Plate	16	141822-830	Rotating Hook Flanged Bushing Set Screw	30	381708	Bed Slide Tension Spring (Can be used in place of Ref. No. 43, 381988)
4	381665	Rotating Hook Bobbin Case Position Finger Mounting Plate	17	181581	Rotating Hook Flanged Bushing	31	354190-451	Rotating Hook Bobbin Case Position Plate Adjusting Screw
5	381847	Rotating Hook Bobbin Case Position Finger with 181554, 354149-451 and 381665	18	181549	Rotating Hook	32	SEE NOTE	Rotating Hook Bobbin Case Position Plate Complete with Bed Slide Tension Spring and Eccentric Stud with E-Ring
6	382341	Rotating Hook Bobbin Winder Actuating Lever Complete	19	384417-451	Rotating Hook Bobbin Case Tension Spring Bracket Screw	33	381849	Rotating Hook Bobbin Case Position Plate with 354190-451, 354215-451, 381732, 381884 and 381885
7	153884	Rotating Hook Bobbin Driving Shaft Retaining Ring	20	381694	Rotating Hook Bobbin Case Tension Spring Bracket Screw Washer	34	181555	Rotating Hook Bobbin Case Position Plate
8	181576	Rotating Hook Bobbin Winder Lifting Bracket	21	181553	Rotating Hook Bobbin Case with 139995-451, 181558, 181559, 354151-451, 354164-451, 381694 and 382315	35	381884	Rotating Hook Bobbin Case Cushion Spring
9	181565	Rotating Hook Bobbin Driving Shaft Spacer	22	354164-451	Rotating Hook Bobbin Case Tension Spring Clamping Screw	36	381885	Rotating Hook Bobbin Case Cushion Spring Washer
10	181563	Rotating Hook Bobbin Driving Shaft Complete with 153884, 181562, 181564, 181565 and 181576	23	382315	Rotating Hook Bobbin Case Tension Auxiliary Spring	37	354215-451	Rotating Hook Bobbin Case Cushion Spring Screw
11	181564	Rotating Hook Bobbin Driving Shaft Clutch Spring	24	181550	Rotating Hook Bobbin Case Tension Spring	38	151576	Rotating Hook Bobbin Case Position Plate Adjusting Stud (Eccentric) Retaining Ring
12	181562	Rotating Hook Bobbin Driving Shaft	25	181559	Rotating Hook Bobbin Case Tension Spring Bracket	39	181556-001	Rotating Hook Bobbin Case Position Plate Adjusting Stud (Eccentric)
13	163791	Rotating Hook Bobbin Winder Actuating Lever Shaft Cam Follower Spring	26	381996	Rotating Hook Bobbin Case Tension Spring Regulating Screw Friction Washer	40	354150-452	Rotating Hook Bobbin Case Position Plate Screw
			27	354299-451	Rotating Hook Bobbin Case Tension Regulating Screw	41	141822-451	Rotating Hook Flanged Bushing Set Screw
						42	354392-451	Bed Slide Tension Spring Screw (4 x 18 Thread)
						43	381988	Bed Slide Tension Spring (Can not be used in place of Ref. No. 30, 381708)

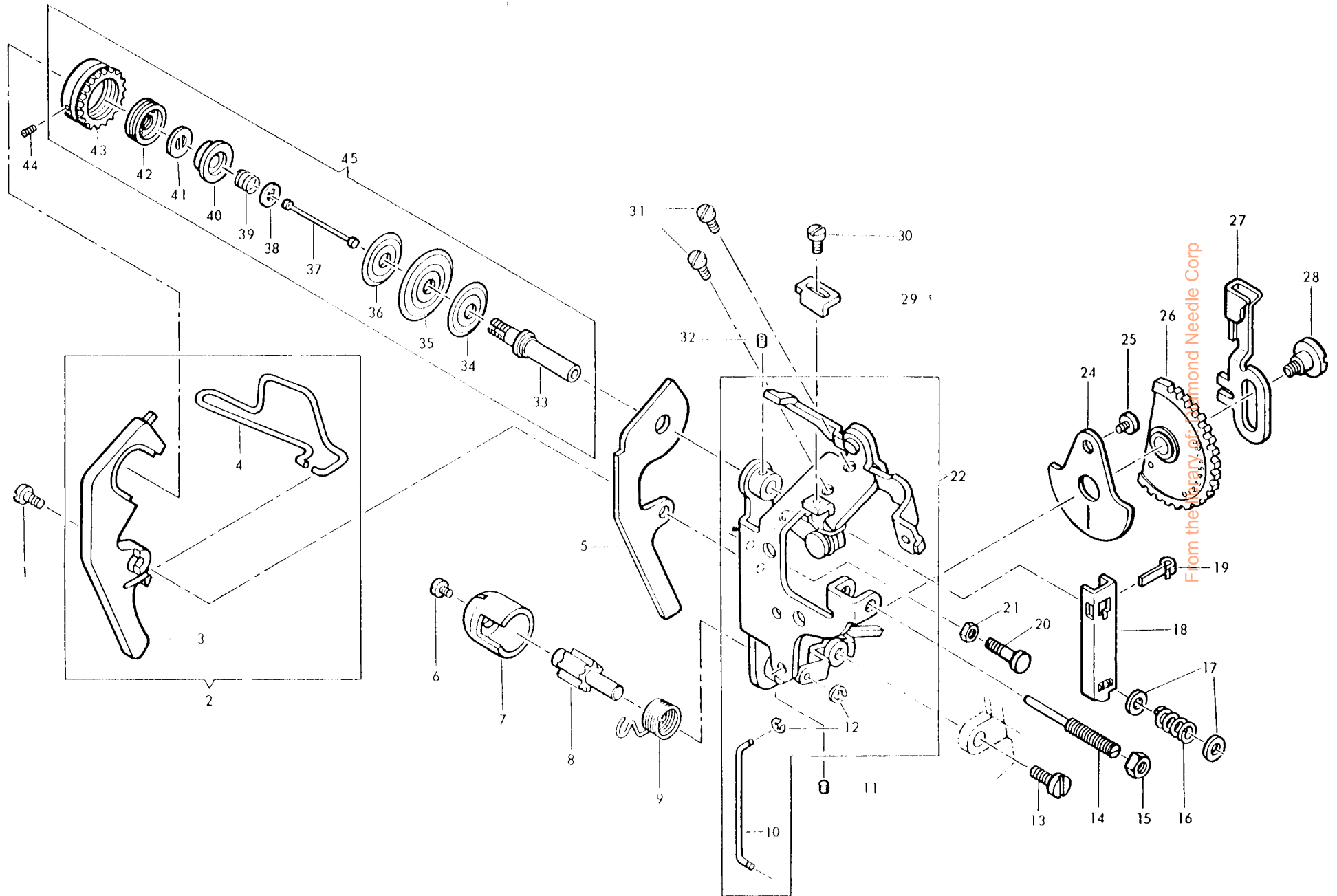
NOTE: KIT NO. 382445 IMPROVED BOBBIN CASE CONTROL INCLUDES #21 AND #32 SEE SERVICE BULLETIN SH 38

900-3/920-3 Machine (HEAD END)



From the library of: Diamond Needle Corp

900-3/920-3 Machine (TENSION MODULE)



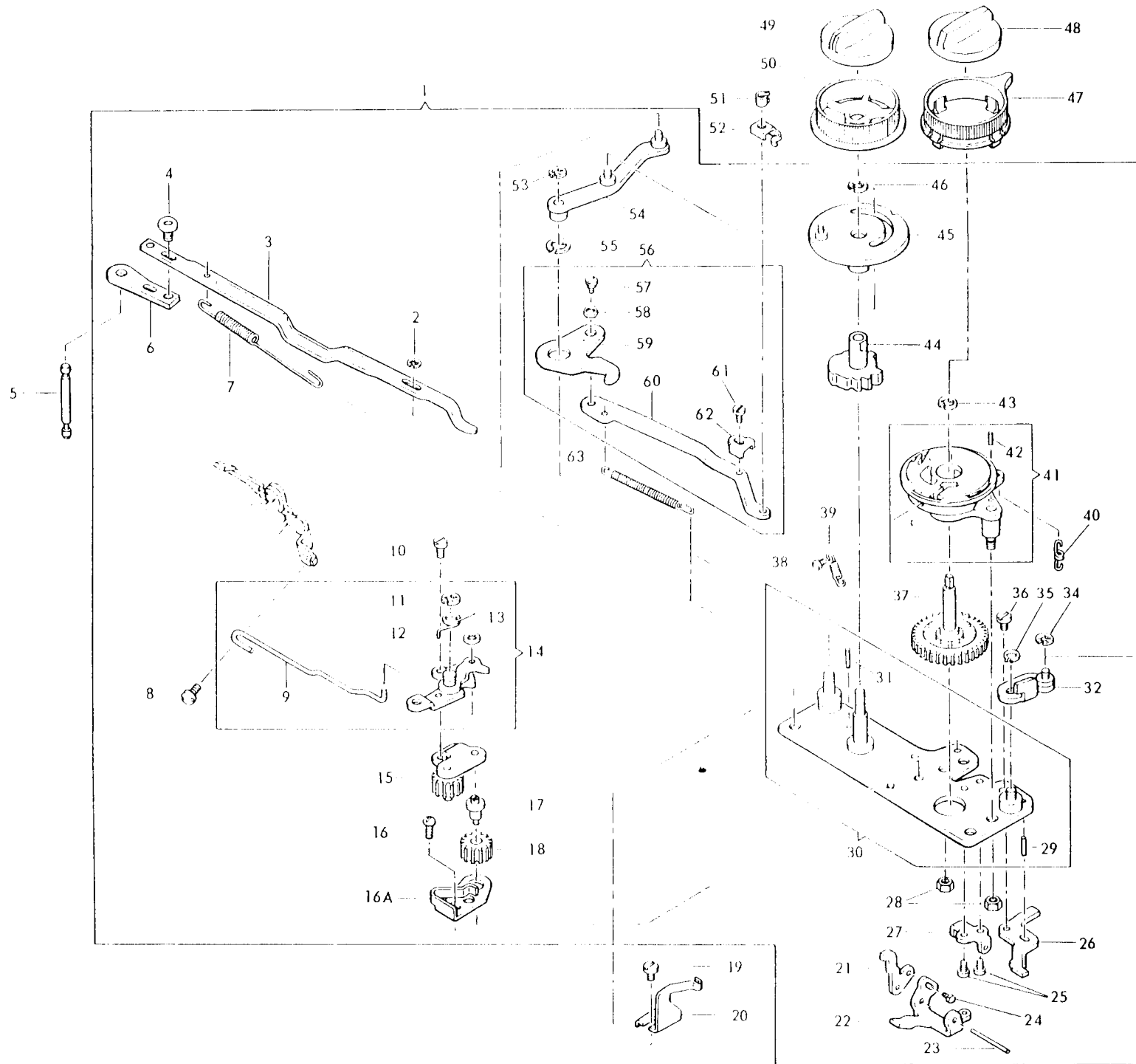
List of Parts - 5 J-3/920-3 Machine

REF. NO.	PART NO.	DESCRIPTION	REF. NO.	PART NO.	DESCRIPTION	REF. NO.	PART NO.	DESCRIPTION
1	354236-451	Thread Take-up Spring	14	181873-451	Tension Adjusting Screw	30	141862-814	Tension Release Lever
		Thread Guard Screw	15	54593-451	Tension Adjusting Screw Nut			Adjusting Plate Screw
2	382433-451	Thread Take-up Spring	16	181877	Tension Spring	31	141824-814	Tension Mounting Bracket
		Thread Guard with 382430-451, and 381883	17	172731	Tension Spring Adjusting Screw Washer (2)			Screw (2)
3	382430-451	Thread Take-up Spring	18	181855	Tension Regulating Slide Plate	32	354048-451	Thread Take-up Spring Stud
		Thread Guard (plastic)						Set Screw
4	381883	Thread Take-up Spring	19	172906	Tension Regulating Slide Plate Spring Clip	33	181878	Tension Stud
		Thread Guard Bar				34	382438	Tension Disc (small)
5	381698-451	Tension Thread Guard	20	354167-451	Tension Regulating Slide Positioning Screw	35	381644	Tension Disc (large)
6	354049-451	Thread Take-up Spring Adjusting Screw	21	53637-803	Tension Regulating Slide Positioning Nut	36	382438	Tension Disc (small)
7	181861-451	Thread Take-up Spring Cap and Slack Thread Regulator (plastic)	22	181853	Tension Mounting Bracket with 171272, 381582 and 381811	37	181857	Tension Disc Pressure Pin
8	182077	Thread Take-up Spring Position Collar	24	182222	Tension Indicator (plastic)	38	174398	Tension Disc Pressure Plate
9	181872	Thread Take-up Spring	25	141697-814	Tension Indicator Screw	39	174418	Pre-Tension Spring
10	381582	Tension Release Lever Connection	26	181848-451	Tension Indicator Dial (plastic)	40	381709	Pre-Tension Spring Adjusting Nut
11	354048-451	Tension Stud Set Screw	27	181854	Tension Regulating Slide	41	174394	Tension Cap Friction Washer
12	171272	Tension Release Lever Connection Stud Retaining Ring (2)	28	354045-451	Tension Indicator Dial Hinge Screw	42	381695	Pre-Tension Spring Locking Cap
13	354419-451	Tension Releasing Lever Actuator Hinge Bushing Support Screw	29	381719	Tension Release Lever Adjusting Plate	43	382431-451	Thread Take-up Spring Thread Guard Positioner
						44	354194	Thread Take-up Spring Thread Guard Positioner Set Screw
						45	382434-451	Tension Stud Compl. Nut

From the library of: D. J. Lee, Jr. - Chief

200 200 200 200
13 2 1 1 1 1

900-3/920-3 Mach. (BIGHT AMPLITUDE)

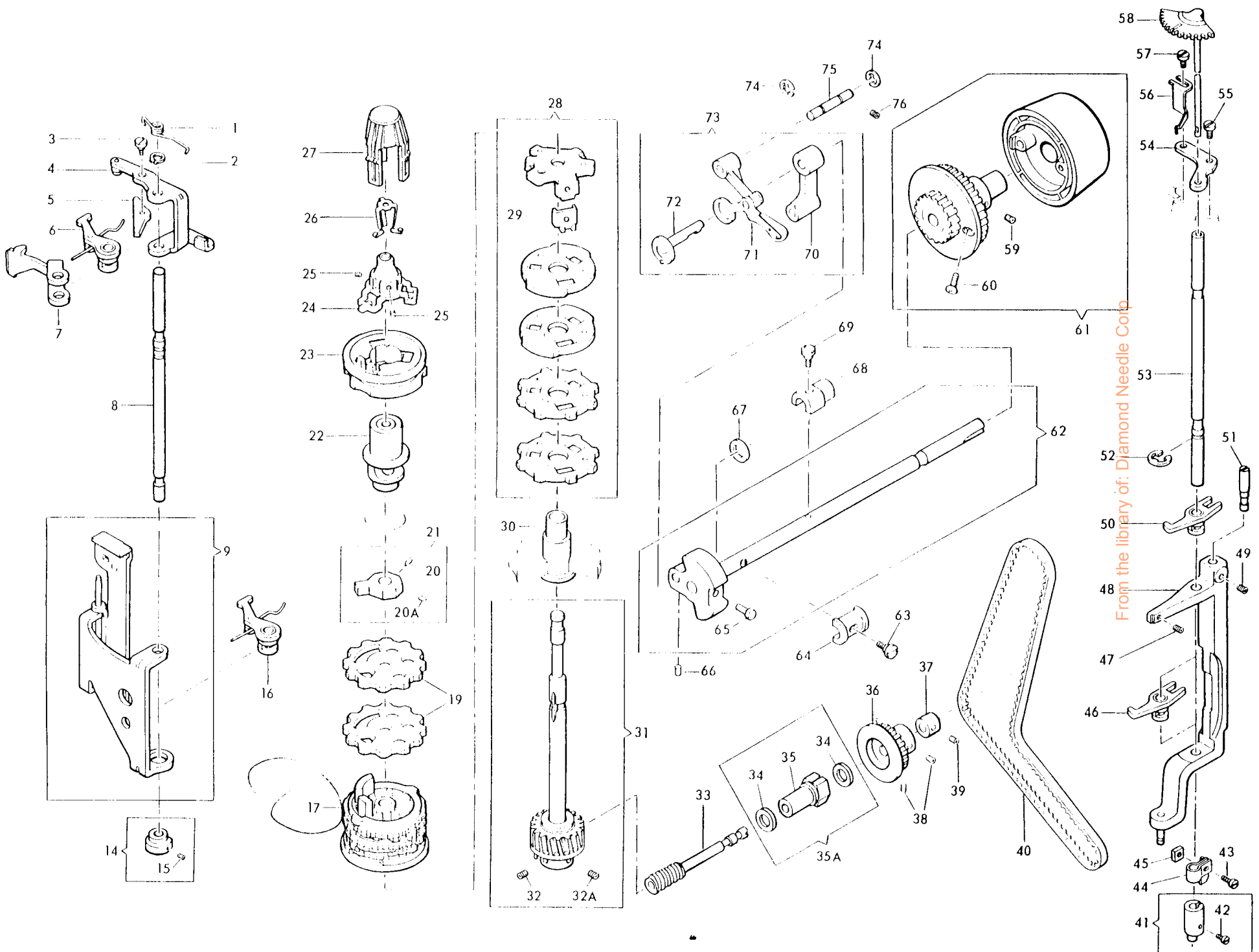


From the library of: Diamond Needle Corp

List of Parts - 90 3/920-3 Machine

REF. NO.	PART NO.	DESCRIPTION	REF. NO.	PART NO.	DESCRIPTION	REF. NO.	PART NO.	DESCRIPTION
1	182172-451	Right Amplitude and Needle Position Control Module	20	182111	Right Amplitude Control Cam Positioning Spring (adjustable)	41	182133	Disc Pattern Selector Kick-out Dial Mounting Plate
2	14494	Needle Bar Driving Arm Retaining Ring	21	381598	Disc Pattern Selector Kick-out Dial Release Lever Link	42	182090	Disc Pattern Selector Kick-out Dial Body Stop Pin
3	182164	Needle Bar Driving Arm	22	182092	Disc Pattern Selector Kick-out Dial Release Lever	43	507563	Disc Pattern Selector Dial Seat
4	354232-451	Needle Bar Driving Arm Ball Joint Screw	23	182094	Disc Pattern Selector Kick-out Dial Release Lever Hinge	44	382383	Needle Position Control Cam
5	182002	Needle Bar Vibrating Bracket Ball Stud	24	354153-451	Disc Pattern Selector Kick-out Dial Release Lever Link Screw	45	182109	Right Amplitude Control Cam
6	182016	Needle Bar Driving Arm Ball Joint	25	354071-451	Disc Pattern Selector Kick-out Dial Release Hinge Mounting Bracket Screw (2)	46	165472	Needle Position Control Cam Retaining Ring
7	182017	Needle Bar Driving Arm Tension Spring	26	182091	Needle Bar Driving Arm Plate Stop	47	182160-451	Disc Pattern Selector Kick-out Dial (plastic)
8	139887-803	Disc Pattern Selector Needle Bar Release Actuating Lever Link Screw	27	182093	Disc Pattern Selector Kick-out Dial Release Hinge Mounting Bracket	48	381607-451	Disc Pattern Selector Dial
9	381684	Disc Pattern Selector Kick-out Dial Body Needle Bar Release Push Rod	28	51644-814	Disc Pattern Selector Kick-out Dial Mounting Plate Stud Nut (2)	49	381605-451	Right Amplitude Control Dial
10	354030-451	Disc Pattern Selector Gear Plate Screw	29	182089	Needle Bar Driving Arm Plate Stop Pin	50	182113-451	Needle Position Control Dial (plastic)
11	163562	Disc Pattern Selector Kick-out Dial Body Needle Bar Release Follower Spring Retaining Ring	30	182079	Right Amplitude, Needle Position and Disc Selector Control Mounting Plate	51	86794	Buttonhole Needle Position Controller Retaining Spring Clip
12	381683	Disc Pattern Selector Kick-out Dial Body Needle Bar Release Follower Spring	31	182090	Needle Position Cam Stop Pin	52	381652	Buttonhole Needle Position Follower Retaining Spring
13	381513	Disc Pattern Selector Kick-out Dial Body Needle Bar Release Push Rod Retaining Ring	32	381609	Needle Bar Driving Arm Plate Kick-out	53	151576	Right Amplitude Control Lever Retaining Ring
14	381682	Disc Pattern Selector Kick-out Dial Body Needle Bar Release Follower	33	182127	Needle Bar Driving Arm Kick-out Connecting Link	54	182099	Right Amplitude Control Lever
15	381604	Disc Pattern Selector Gear Plate	34	165472	Needle Position Control Cam Retaining Ring	55	167160	Needle Position Cam Follower Arm Retaining Ring
16	354121-451	Needle Position Control Cam Positioning Spring Screw	35	155072	Needle Bar Driving Arm Plate Kick-out Retaining Ring	56	381636	Needle Position Control Link
16 A	382394	Needle Position Control Cam Positioning Spring	36	354077-451	Needle Bar Driving Arm Plate Stop Screw	57	139906-451	Needle Position Control Link (eccentric) Screw
17	182084	Right Amplitude and Needle Position Control Dial Stud	37	182154	Disc Pattern Selector Drive Gear (plastic)	58	381750	Needle Position Control Link Eccentric Stud
18	182147	Disc Pattern Selector Idler Gear (plastic)	38	354128-451	Disc Pattern Selector Kick-out Dial Return Spring Screw	59	182124	Needle Position Cam Follower Arm
19	141877-814	Right Amplitude Control Cam Positioning Spring Screw	39	182156	Disc Pattern Selector Kick-out Dial Return Spring	60	381527	Needle Position Control Link
			40	182096	Disc Pattern Selector Kick-out Dial Release Lever Spring	61	139906-451	Needle Position Control Link Stop (adjustable) Screw
						62	381635	Needle Position Control Link Stop (adjustable)
						63	182162	Needle Position Control Link (left) Spring

900-3/920-3 Machine (C. M STACK AND FOLLOWERS)

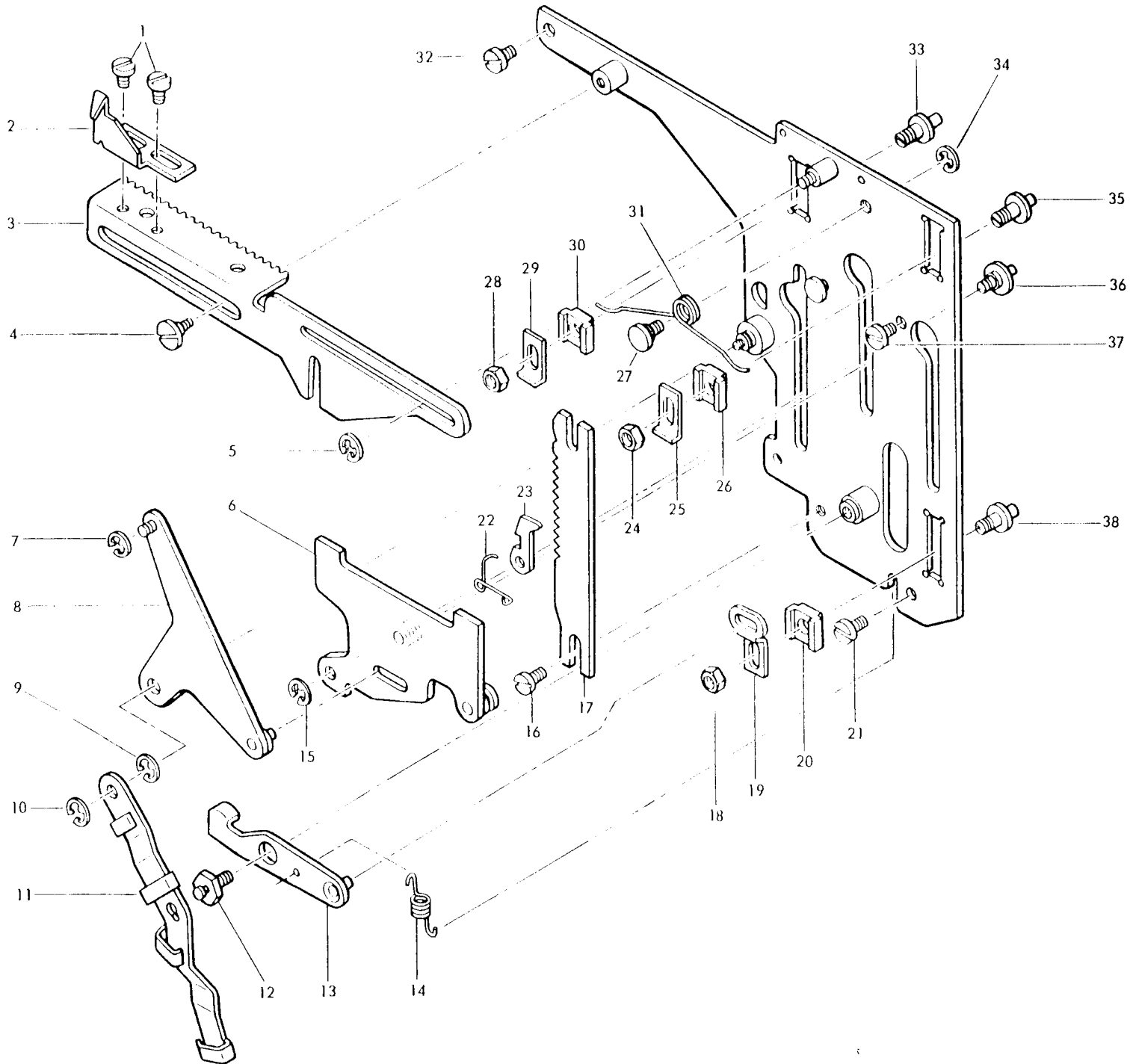


From the library of: Diamond Needle Corp

List of Parts - 90 3/920-3 Machine

REF. NO.	PART NO.	DESCRIPTION	REF. NO.	PART NO.	DESCRIPTION	REF. NO.	PART NO.	DESCRIPTION
1	182166	Disc Pattern Selector Kick-out Lever Return Spring	31	382308	Disc Stack Shaft with Gear Assembly	49	141832-869	Disc (Feed Control) Follower Eccentric Stud Set Screw
2	182150	Disc Pattern Selector Lever Retaining Ring	32	141834-869	Disc Driving Worm Wheel Positioning Screw	50	381975	Disc (Feed Control) Follower (upper)
3	141824-814	Needle Bar Driving Arm Kick-out Actuator Screw	33A	354176	Disc Driving Worm Wheel Set Screw	51	381948	Disc (Feed Control) Follower Eccentric Stud
4	182138	Disc Pattern Selector Kick-out Lever	33	181865	Disc Stack Driving Gear	52	163562	Disc (Feed Control) Follower (upper and lower) Shaft Retaining Ring
5	182128	Needle Bar Driving Arm Kick-out Actuator	34	382404	Disc Stack Driving Gear Bushing (Eccentric) Washer (Plastic) (2)	53	181943	Disc (Feed Control) Follower Shaft
6	182015	Disc (Needle Position) Follower (upper)	35	382403	Disc Stack Driving Gear Bushing (Eccentric)	54	381651	Disc (Feed Control) Follower (lower and upper) Shaft Support Bracket
7	182026	Buttonholer Needle Position Follower	35A	382432	Disc Stack Driving Gear Bushing Repair Kit consisting of 382403 and 382404 (2)	55	354090-451	Disc (Feed Control) Follower (upper and lower) Shaft Support Bracket Screw
8	181944	Disc (Needle Position) Follower (upper and lower) Shaft	36	382425	Disc Driving Gear Pulley with two 354176	56	381830	Buttonholer Disc Friction Spring
9	382495	Needle Bar Driving Arm Plate with 181949, 381530 and two 382321	37	174235	Disc Stack Driving Collar with 141802-869	57	354090	Disc (Feed Control) Follower (upper and lower) Shaft Support Bracket Screw
14	381529	Needle Bar Driving Arm Plate Hinge Bracket (lower) Eccentric	38	354176-451	Disc Driving Gear Pulley Set Screw (2)	58	181942-451	Feed Balancing Dial
15	354043-451	Needle Bar Driving Arm Plate Hinge Bracket (lower) Eccentric Screw	39	141802	Disc Stack Driving Gear Collar Set Screw	59	354201-451	Hand Wheel Pulley Set Screw
16	182015	Disc (Needle Position) Follower (lower)	40	181732	Belt (from hand wheel pulley) to Disc Stack Driving Gear Pulley and Rotating Hook Drive Shaft	60	354317-451	Hand Wheel Screw
17	182244	Disc Stack Complete	41	381993	Belt Pulley	61	382438-451	Hand Wheel Complete
19	182058	Zig-zag discs (2) (Fixed)	42	381993	Disc Controlled Feed Lever and Feed Balance Eccentric	62	181605	Arm Shaft (horizontal)
20	354163-451	Disc Stack Driver Set Screw	43	354297	Disc Controlled Feed Lever and Feed Balancing Eccentric Screw	63	139997-451	Arm Shaft Collar Screw
20A	354176	Disc Stack Driver Set Screw	44	141852	Disc Controlled Feed Lever and Feed Balancing Eccentric Adjustable Clamping Clip Screw	64	181608	Arm Shaft Collar
21	381664	Disc Stack Driver and Screws	45	179717	Disc Controlled Feed Lever and Feed Balancing Eccentric Adjustable Clamping Clip	65	139999-451	Needle Bar Crank Position Screw
22	182170	Disc Stack Shaft Bushing (upper)	46	381975	Disc Controlled Feed Lever and Feed Balancing Eccentric Adjustable Clamping Clip Nut	66	140992-830	Thread Take-up Crank (Eccentric) Set Screw
23	382388	Buttonholer Disc	47	354079-451	Disc (Feed Control) Follower (lower)	67	181620	Needle Bar Crank Washer
24	381548	Disc Driver	48	381972	Disc Controlled Feed Lever Connection Driving Shaft Bracket Adjusting Screw	68	182163	Disc Pattern Selector Kick-out Dial Releasing Cam (Plastic)
25	354401-451	Disc Driver Set Screw (2)				69	139997	Disc Pattern Selector Kick-out Dial Releasing Screw
26	182184	Disc Retaining Spring				70	328467	Needle Bar Connecting Link
27	381898	Disc Release and Buttonhole Cam Drive Knob				71	181624	Thread Take-up Lever Compl.
28	381846	Disc Pattern Feed Cams and Driver				72	381574	Thread Take-up Crank Eccentric
29	381882	Disc Pattern Feed Cam Driver Clip				73	381734	Thread Take-up Lever
30	182183	Disc Stack Shaft Bushing (lower)				74	151525	Thread Take-up Lever Link Retaining Ring
						75	181625	Thread Take-up Lever Link Hinge Stud
						76	141855-814	Thread Take-up Lever Link Hinge Stud Set Screw

900-3/920-3 Machine (M SELECTOR MECHANISM)



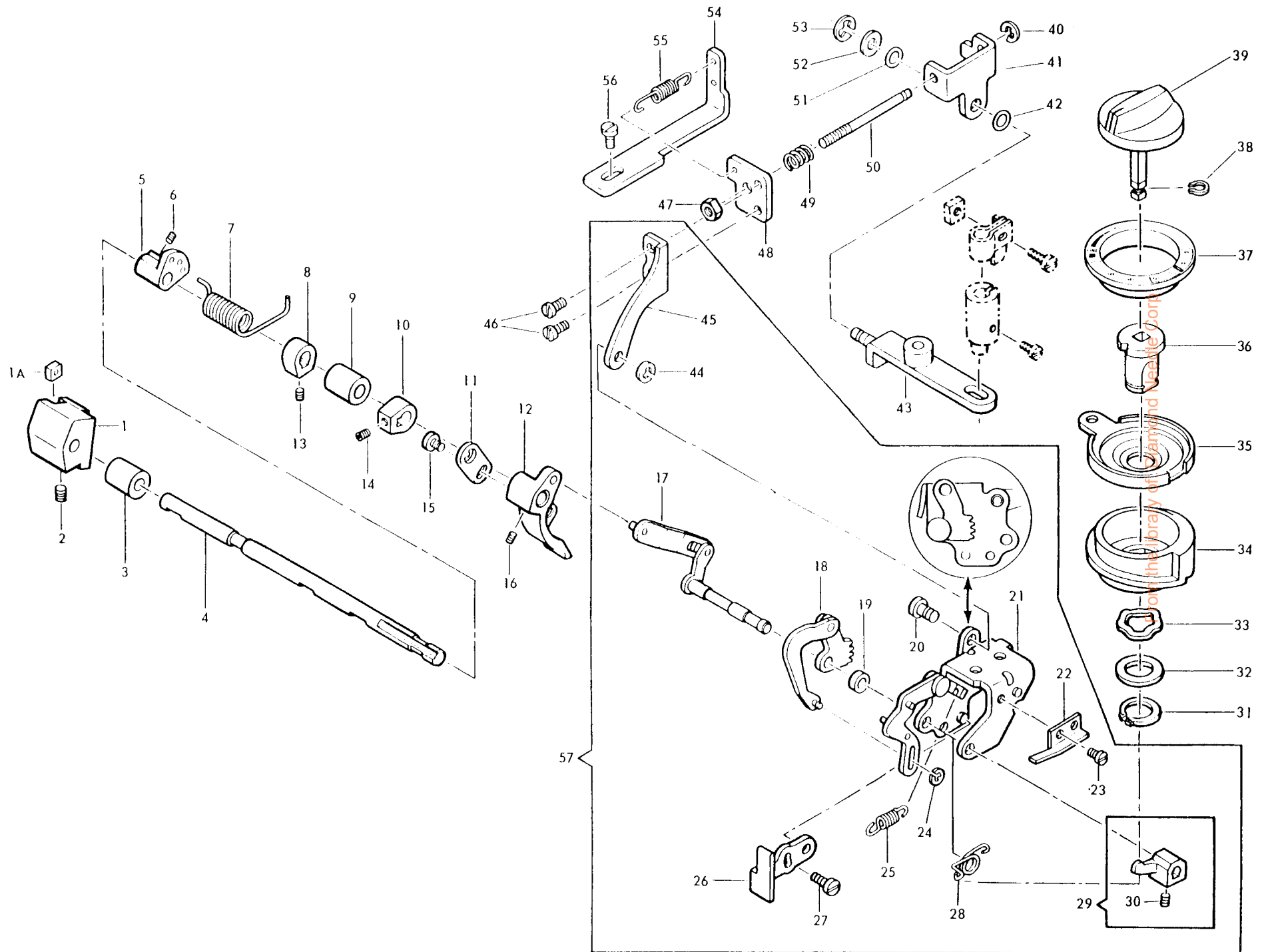
From the library of: Diamond Needle Corp

List of Parts - 9 -3/920-3 Machine

REF. NO.	PART NO.	DESCRIPTION	REF. NO.	PART NO.	DESCRIPTION	REF. NO.	PART NO.	DESCRIPTION
1	354071-451	Disc Selector Pattern Indicator Screw (2)	13	181982	Disc (Feed Control) Follower (lower) Slide Block Lever	26	181979	Disc (Feed Control and Needle Position) Followers (upper and lower) Slide Block (3)
2	181996	Disc Selector Pattern Indicator	14	14470	Disc (Feed Control) Follower (lower) Slide Block Lever Spring	27	181975	Disc Followers (upper) Spring Stud
3	181995	Disc (Feed Control and Needle Position) Followers (upper and lower) Actuating Slide Rack	15	14494	Disc (Needle Position) Follower (lower) Selector Stud Retaining Ring	28	54584-451	Disc (needle position) Follower (upper) Selector Stud Nut
4	354125-451	Disc (Feed Control and Needle Position) Followers (upper and lower) Actuating Slide Rack Screw	16	354501-451	Disc (Needle Position) Follower (lower) Selector Positioning Plate Screw	29	181980	Disc (Feed Control and Needle Position) Followers (upper and lower) Slide Block Plate (2)
5	382321	Disc (Feed Control and Needle Position) Followers (upper and lower) Actuating Slide Rack Retaining Ring	17	181974	Disc (Needle Position) Follower (lower) Selector Positioning Plate	30	181979	Disc (Feed Control and Needle Position) Followers (upper and lower) Slide Block (3)
6	181991	Disc (Feed Control and Needle Position) Follower (Upper and Lower) Actuating Plate	18	54584-451	Disc (Feed Control) Follower (lower) Selector Stud Nut	31	181976	Disc (Feed Control and Needle Position) Followers (upper) Slide Block Spring
7	165472	Disc (Feed Control and Needle Position) Followers (upper and lower) Actuating Plate Lever Retaining Ring	19	181977	Disc (Feed Control) Follower (lower) Slide Block Adjusting Plate	32	354090-451	Disc (Feed Control) Follower (upper and lower) Shaft Support Bracket Screw (2)
8	181988	Disc (Feed Control and Needle Position) Follower (upper and lower) Actuating Plate Lever Retaining Ring	20	181979	Disc (Feed Control and Needle Position) Followers (upper and lower) Slide Block (3)	33	181981	Disc (Needle Position) Follower (upper) Selector Stud
9	151527	Disc Selector Actuating Lever Retaining Ring	21	354090-451	Disc Controlled Feed Lever Bracket Stop Screw	34	165472	Disc Followers (upper) Spring Stud Retaining Ring
10	14494	Light Wire Harness Bracket Retaining Ring	22	181994	Disc (Needle Position) Follower (lower) Selector Positioning Pawl Spring	35	181978	Disc (Feed Control) Follower (upper and lower) Selector Stud (2)
11	381796	Light Wire Harness Bracket	23	181993	Disc (Needle Position) Follower (lower) Selector Positioning Pawl	36	181992	Disc (Needle Position) Follower (lower) Selector Stud
12	354124-451	Disc (Feed Control) Follower (lower) Slide Block Lever Screw	24	54584-451	Motor Adjusting Stud (Eccentric) Jam Nut	37	354090-451	Disc (Feed Control) Follower (upper and lower) Shaft Support Bracket Screw (2)
			25	181980	Disc (Feed Control and Needle Position) Followers (upper and lower) Slide Block Plate (2)	38	181978	Disc (Feed Control) Follower (upper and lower) Selector Stud (2)

Property of Hamilton City

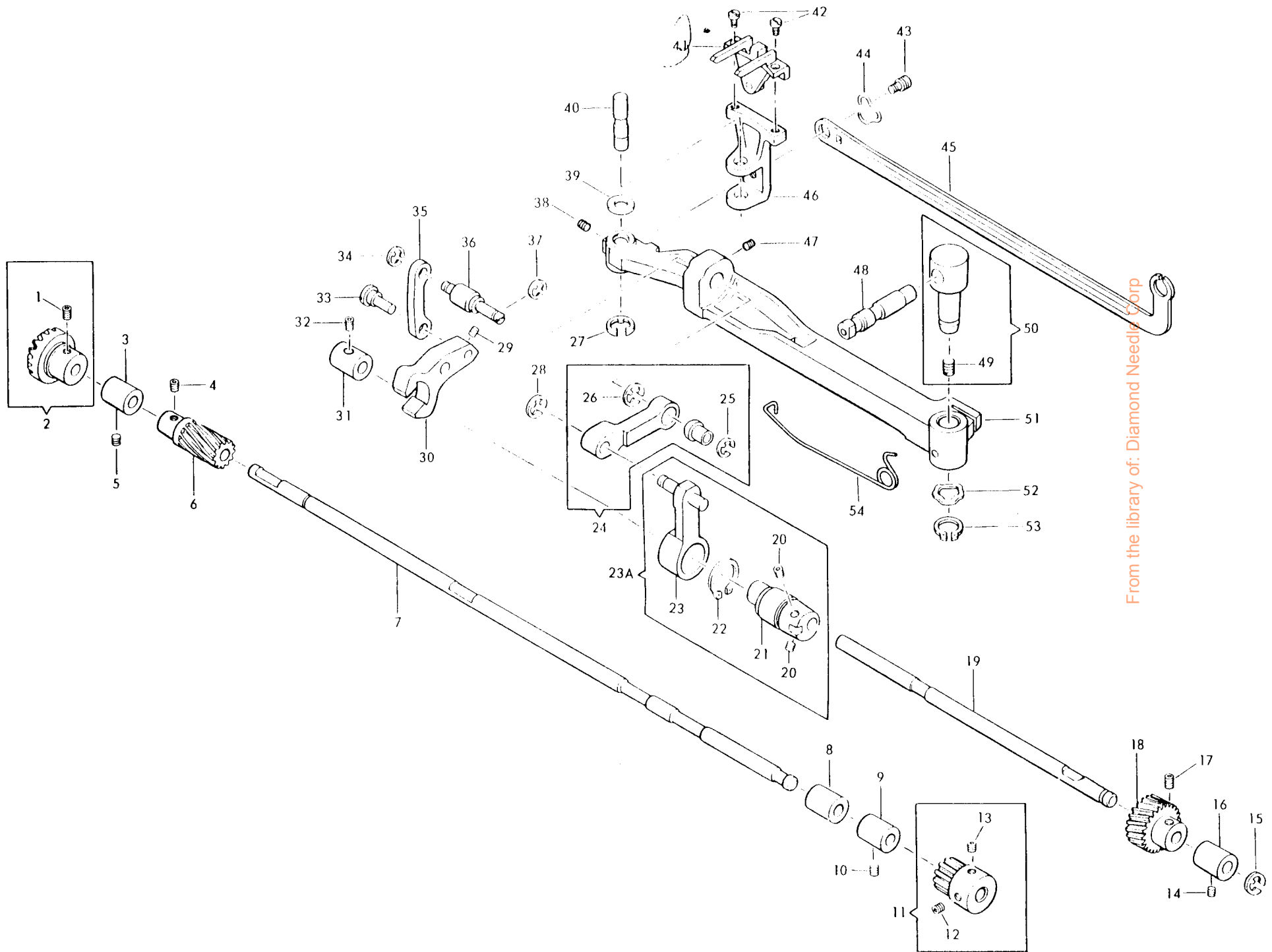
900-3/920-3 Machine (ED CONTROL MECHANISM)



List of Parts - 900-3/920-3 Machine

REF. NO.	PART NO.	DESCRIPTION	REF. NO.	PART NO.	DESCRIPTION	REF. NO.	PART NO.	DESCRIPTION
1	181956	Feed Regulator	21	182072	Feed Control Mounting Bracket	41	381844	Disc Controlled Feed Lever Bracket
1A	511030	Feed Regulator Slide Block	22	181886	Feed Control Cam Friction Spring and Stop	42	181925	Disc Controlled Feed Lever Ball Stud Spacer (2)
2	141818-869	Feed Regulator Set Screw	23	141862-814	Feed Control Cam Friction Spring and Stop Screw	43	181927	Disc Controlled Feed Lever Connection
3	181898	Feed Regulator Shaft Bushing (left)	24	153513	Feed Regulator Shaft Controlling Lever Follower Stud Retaining Ring	44	151575	Disc Controlled Feed Lever Connection Driving Shaft Bracket
4	181897	Feed Regulator Shaft	25	382327	Feed Control Cam Follower Lever Spring	45	381841	Disc Controlled Feed Lever Hinge Stud Retaining Ring
5	181908	Feed Regulator Shaft Tension Spring Adjusting Collar	26	381934	Feed Control Cam Support (adjustable)	46	354192-451	Disc Controlled Feed Lever Screw (2)
6	141772-869	Feed Regulator Shaft Tension Spring Adjusting Collar Set Screw	27	141824-814	Feed Control Cam Support Adjusting Screw	47	54600-451	Disc Controlled Feed Lever Screw Stud Nut
7	181906	Feed Regulator Shaft Tension Spring	28	181911	Reverse Feed Lever Return Spring	48	381845	Disc Controlled Feed Lever Plate
8	181900	Feed Regulator Shaft Collar (2)	29	181910	Reverse Feed Lever	49	381541	Disc Controlled Feed Lever Spring
9	181898	Feed Regulator Shaft Bushing (right)	30	354248-451	Reverse Feed Lever Set Screw	50	381842	Disc Controlled Feed Lever Screw Stud
10	181900	Feed Regulator Shaft Collar (2)	31	151545	Feed Control Cam Bushing Retaining Ring	51	181925	Disc Controlled Feed Lever Ball Stud Spacer (2)
11	381611	Feed Regulator Shaft Controlling Lever Plate (adjustable)	32	381520	Feed Control Cam Bushing Spring Washer	52	382417	Disc Controlled Feed Lever Ball Stud Washer
12	181901-901	Feed Regulator Shaft Controlling Lever	33	381641	Feed Control Cam Bushing Spacer	53	163562	Disc Controlled Feed Lever Ball Stud Retaining Ring
13	141802-869	Feed Regulator Shaft Collar Set Screw (2)	34	181879	Feed Control Cam (plastic)	54	382400	Disc Controlled Feed Lever Bracket Stop
14	141802-869	Feed Regulator Shaft Collar Set Screw (2)	35	381626	Feed Control Knob Ring Retaining Cup	55	381838	Disc Controlled Feed Lever Bracket Return Spring
15	141872	Feed Regulator Shaft Controlling Lever Plate Adjusting Screw	36	182181	Feed Control Cam Bushing	56	354090-451	Disc Controlled Feed Lever Bracket Stop Screw
16	141338-869	Feed Regulator Shaft Controlling Lever Set Screw	37	382477-451	Feed Control Knob Ring (plastic)	57	181892	Feed Control Mounting Bracket
17	182073	Reverse Feed Lever Shaft	38	381502	Feed Control Knob Retaining Ring			
18	182076	Feed Control Cam Follower Lever Link	39	181888	Feed Control Knob (plastic, molded)			
19	181894	Disc Controlled Feed Lever Segment (back) Spacer (plastic)	40	382375	Disc Controlled Feed Lever Screw Stud Retaining Ring			
20	181954	Disc Controlled Feed Lever Segment (back) Stud						

900-3/920-3 Machine (ALPHA FEED)

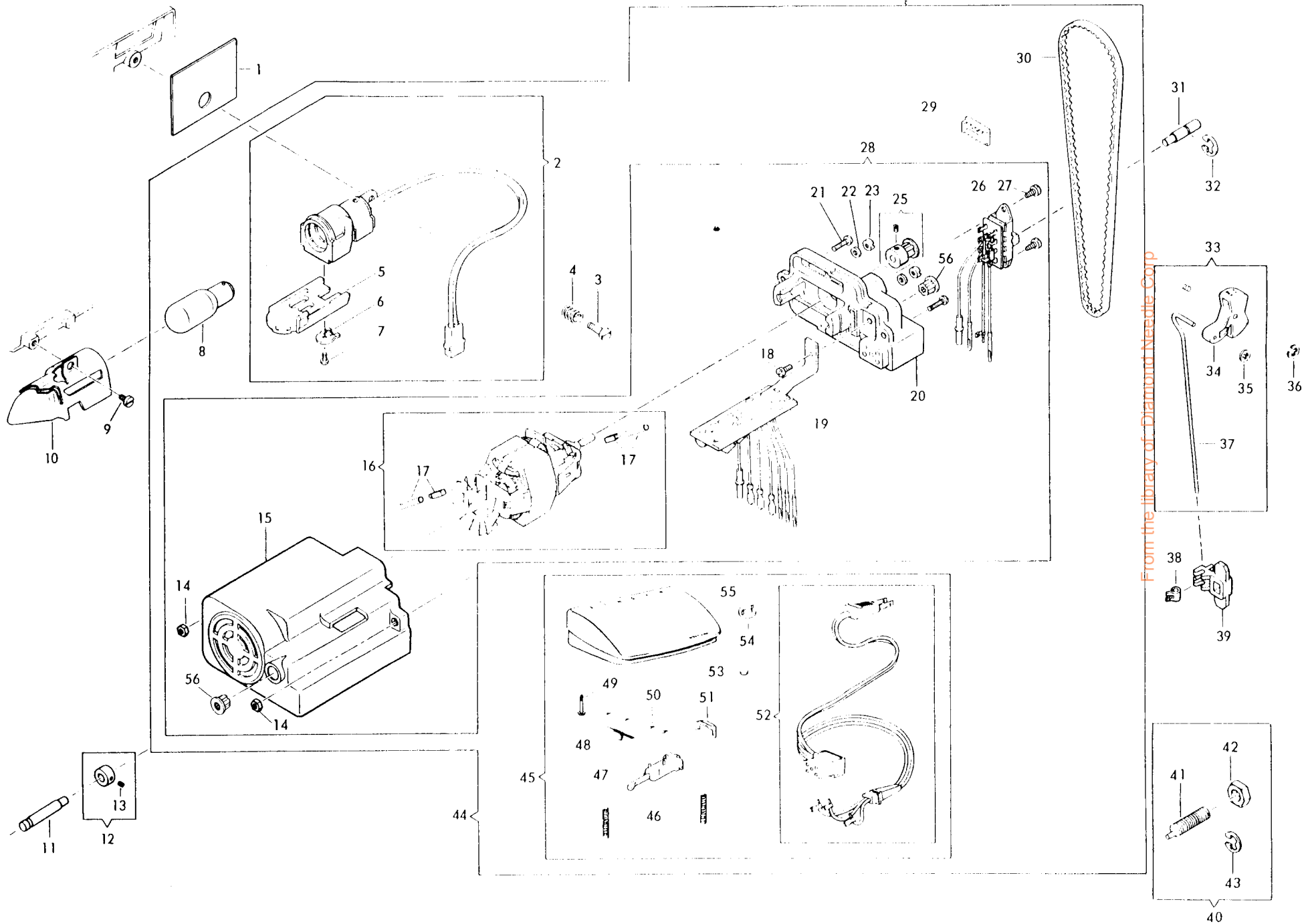


From the library of: Diamond Needle Corp

List of Parts - 9 3/920-3 Machine

REF. NO.	PART NO.	DESCRIPTION	REF. NO.	PART NO.	DESCRIPTION	REF. NO.	PART NO.	DESCRIPTION
1	141338-869	Rotating Hook Drive Shaft Bevel Gear (plastic) Set Screw	18	174491	Feed Drive Shaft Gear (helical, plastic)	34	163562	Feed Lifting Fork Hinge Stud Retaining Ring (left)
2	163331-901	Rotating Hook Drive Shaft Bevel Gear (plastic)	19	181598	Feed Drive Shaft	35	511016	Feed Lifting Fork Connection
3	182117	Rotating Hook Drive Shaft Bushing (left)	20	141802-869	Feed Regulator Shaft Collar Set Screw (2)	36	174248	Feed Bar Connection and Feed Lifting Fork Connection Hinge Stud (eccentric)
4	141772-869	Feed Drive Shaft Driving Gear (helical, plastic) Set Screw	21	174244	Feed Lifting Cam and Feed Eccentric	37	163562	Feed Lifting Fork Hinge Stud Retaining Ring (right)
5	141822-451	Feed Drive Shaft Bushing (left) Set Screw	22	174277	Feed Regulator Slide Block Drive Connection Retaining Ring	38	139878-869	Feed Lifting Fork Hinge Stud Set Screw
6	174488	Feed Drive Shaft Driving Gear (helical, plastic)	23	511481	Feed Regulator Slide Block Drive Connection	39	174251	Feed Dog Holder Washer
7	181579	Rotating Hook Drive Shaft	23 A	172880	Feed Regulator Slide Block Drive Connection Complete	40	174217	Feed Dog Holder Stud
8	182247	Rotating Hook Drive Shaft Bushing	24	381806	Feed Bar Connection	41	382405	Feed Dog Complete <i>Rubber</i>
9	182117	Rotating Hook Drive Shaft Bushing (right)	25	172947	Feed Bar Connection and Feed Lifting Fork Connection Hinge Stud (eccentric)	42	141896-830	Feed Dog Screw (2)
10	141822-451	Feed Drive Shaft Bushing (right) Set Screw	26	151576	Spring Washer	43	141827-803	Feed Dog Holder Compensating Link Screw Stud
11	174282-001	Rotating Hook Drive Shaft Belt Pulley	27	163562	Feed Bar Connection Retaining Ring (right)	44	511075	Feed Dog Holder Compensating Link Retaining Spring
12	141338-869	Rotating Hook Drive Shaft Belt Pulley Set Screw (2)	28	151527	Feed Bar Connection Retaining Ring (left)	45	174216	Feed Dog Holder Compensating Link
13	141338-869	Rotating Hook Drive Shaft Belt Pulley Set Screw (2)	29	141802-869	Feed Bar Connection and Feed Lifting Fork Connection Hinge Stud (eccentric) Retaining Ring	46	181838	Feed Dog Holder
14	141822-451	Rotating Hook Drive Shaft Bushing (right) Set Screw	30	174276	Feed Lifting Fork Connection Hinge Stud (eccentric) Set Screw	47	141812-830	Feed Bar Connection and Feed Lifting Fork Connection Hinge Stud (eccentric) Set Screw
15	163562	Rotating Hook Drive Shaft Thrust Washer Retaining Ring	31	182117	Feed Lifting Fork	48	381833	Feed Bar Pivot Hinge Stud Adjusting Pin (eccentric)
16	182117	Rotating Hook Drive Shaft Bushing (right)	32	141823-451	Feed Drive Shaft Bushing (left)	49	141801-830	Feed Bar Pivot Hinge Stud Lock Screw
17	141772-869	Feed Drive Shaft Gear (helical, plastic) Set Screw	33	174220	Feed Drive Shaft Bushing (left) Set Screw	50	174214	Feed Bar Pivot Hinge Stud
					Feed Lifting Fork Connection Hinge Stud (eccentric)	51	174243	Feed Bar
						52	511211	Feed Bar Pivot Hinge Stud Spring Washer
						53	172876	Feed Bar Pivot Hinge Stud Retaining Ring
						54	182239	Feed Bar Guide Pin Spring

RA6-8 Motor for 900-3/920-3 Machine (for U.S.A.)



Parts Comparison Chart - 920-3/920-13
 (Supplement to List of Parts - 900-3/920-3)

920-3 6MM BIGHT	ATTACHMENT SET	920-13 5MM BIGHT
PART NUMBER	DESCRIPTION	PART NUMBER
171435 103473 171455 171466-451 171470 171485 381057-451 181871	Attachment Set Complete Needle Package (plastic) Feed Cover Plate for Darning and Embroidery Even Feed Foot (complete) Throat Plate for Straight Sewing Chainstitch Attachment Throat Plate Chainstitch Attachment Set Comp. Throat Plate for Zig-Zag Sewing	381248 381242 171138 506415-452 381245 381244 381249-451 382795
920-3 6MM BIGHT	COVERS	920-13 5MM BIGHT
PART NUMBER	DESCRIPTION	PART NUMBER
181627-451 181588 181628-901	Arm Top Cover Module Bed Slide with Molded Plastic Window Arm Top Cover and Control Panel	382810-451 382801 382797-901
920-3 6MM BIGHT	HEAD END	920-13 6MM BIGHT
PART NUMBER	DESCRIPTION	PART NUMBER
181644 182236 181664 182002 181669 181688	Head End Module Needle Bar Latch Kick-out Plate (adjustable) Needle Bar Vibrating Bracket Needle Bar Vibrating Bracket Ball Stud Needle Bar Vibrating Bracket Frame Presser Foot Plate (snap-on) Complete for Zig-zag	382811-451 382796 382812 382798 382813 163839

920-3 6MM BIGHT	BIGHT AMPLITUDE	920-13 5MM BIGHT
PART NUMBER	DESCRIPTION	PART NUMBER
182172-451 *381979 182016	Bight Amplitude and Needle Position Control Module Needle Bar Driving Arm Assembly Needle Bar Driving Arm Ball Joint * Combines 182164 and 381636	382814-451 382815 382799
920-3 6MM BIGHT	CAM STACK AND FOLLOWERS	920-13 5MM BIGHT
PART NUMBER	DESCRIPTION	PART NUMBER
382388	Buttonholer Disc Assembly	382818-451
920-3 6MM BIGHT	FEED CONTROL MECHANISM	920-13 5MM BIGHT
PART NUMBER	DESCRIPTION	PART NUMBER
382477-451	Feed Control Knob Ring	382477-001
920-3 6MM BIGHT	ALPHA FEED	920-13 5MM BIGHT
PART NUMBER	DESCRIPTION	PART NUMBER
382726 382377 181591 382405 181838	Feed Bar (machined) Feed Bar Feed Bar Complete Feed Dog (R) Feed Dog Holder	382807 382808 382809 181843 174215

From the library of: Diamond Needle Corp